

Concealed thermostat -

35 425 970 90



- lead-free, dezincification resistant
- 2x back flow preventer
- 2x female thread 1/2" connections
- 3x outlet G 1/2"
- dust cover
- anti-water packing
- sound and thermal insulation
- suitable for xGRID (when using installation track + 12 mm recess depth)
- gauge 70 mm

Recommended miscellaneous



Drybox Concealed thermostat - 39 426 970 90
 • Overflow is part of the scope of delivery.

Recommended miscellaneous



xGRID Attachment set for integrating in the dry wall construction - 12 340 970 90

Required miscellaneous

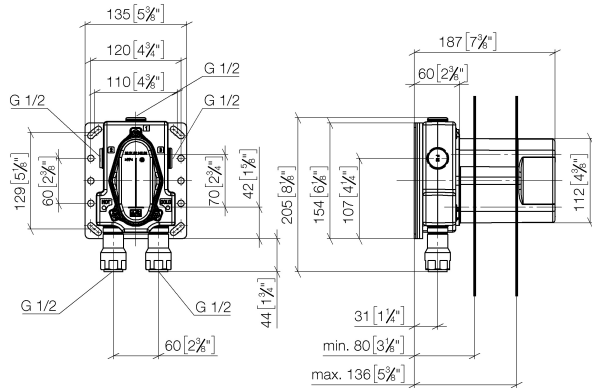


xGRID Installation track 555 mm - 12 360 970 90

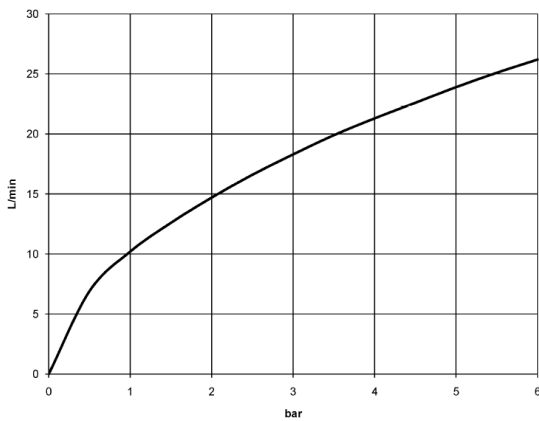
Concealed thermostat -

35 425 970 90

mm [inches]



Flow rate chart



Certificates

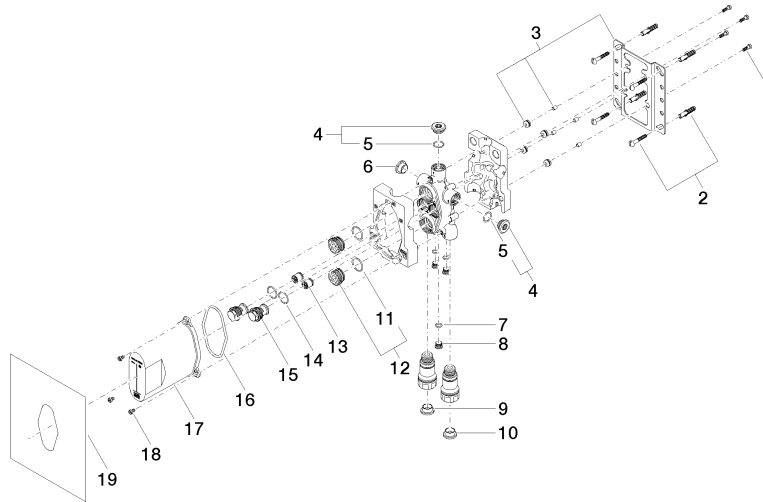
Belgaqua_21-031- 27_6. ETA_20551.

DVGW_DW- 6512DN0119.

WRAS_1906098.

Concealed thermostat -

35 425 970 90



Spare parts list

| No. | Item Number | Name | Quantity used | Delivery time |
|-----|--------------------|---------------------|---------------|---------------|
| 1 | 09 30 30 171 90 | screw | 4 | 2 |
| 2 | 04 30 31 024 01 90 | fixing set | 2 | 2 |
| 3 | 04 17 20 127 00 90 | holder | 1 | 2 |
| 4 | 04 31 20 006 00 90 | plug | 2 | 2 |
| 5 | 09 14 10 053 90 | seal | 1 | 2 |
| 6 | 09 31 20 092 90 | plug | 1 | 2 |
| 7 | 09 14 10 139 90 | seal | 3 | 2 |
| 8 | 09 31 20 039 10 90 | plug | 3 | 60 |
| 9 | 09 31 20 093 90 | plug | 1 | 2 |
| 10 | 09 31 20 094 90 | plug | 1 | 2 |
| 11 | 09 14 10 112 90 | seal | 2 | 2 |
| 12 | 04 30 11 149 00 90 | plug | 2 | 2 |
| 13 | 90 23 01 040 00 90 | back-flow preventer | 2 | 2 |
| 14 | 90 14 10 056 00 90 | seal | 2 | 2 |
| 15 | 09 24 03 219 90 | nipple | 2 | 2 |
| 16 | 09 14 10 512 90 | seal | 1 | 2 |
| 17 | 04 21 02 146 00 90 | cap | 1 | 2 |
| 18 | 09 30 30 112 90 | screw | 3 | 2 |
| 19 | 04 14 03 080 00 90 | gasket kit | 1 | 2 |